

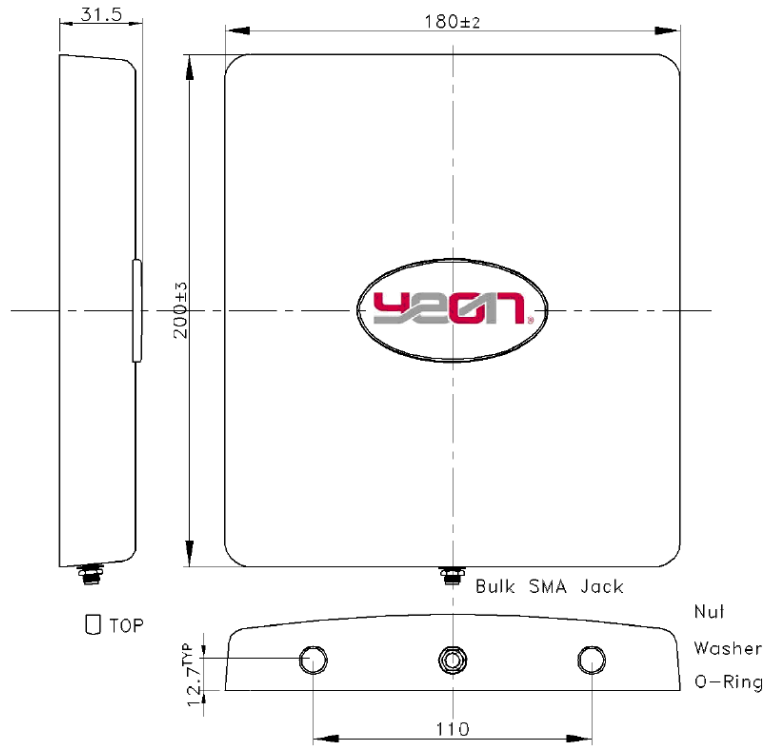


RFID UHF Antenna Data Sheet

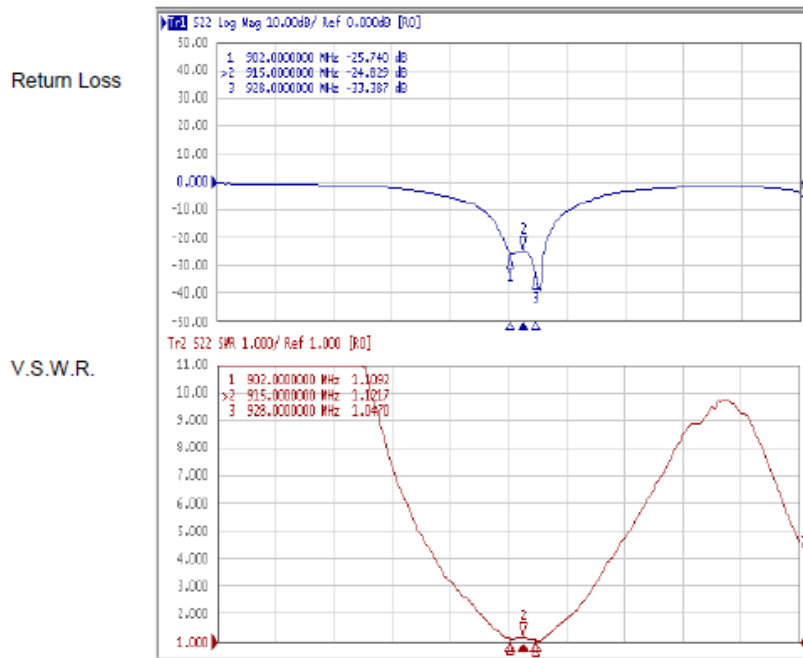
Operating Frequency	902~928MHz
Impedance	50Ω
VSWR	≤2.0
Gain	8.0 dBic
Polarization	Right Hand, Circular
Radiation Pattern	Directional
Beam Width	70°±5° @E-plane , 80°±5° @H-plane
Operating temperature	-20°C ~ 65°C
Radome Material	ABS+PC
Connector	SMA Bulkhead Jack
Water Proof	IP 65
Drop Test	2m Concord
Dimensions	180x200x31.5mm
Weight	368.5g



Antenna Drawing



V.S.W.R / Return Loss





Radiation Pattern

