

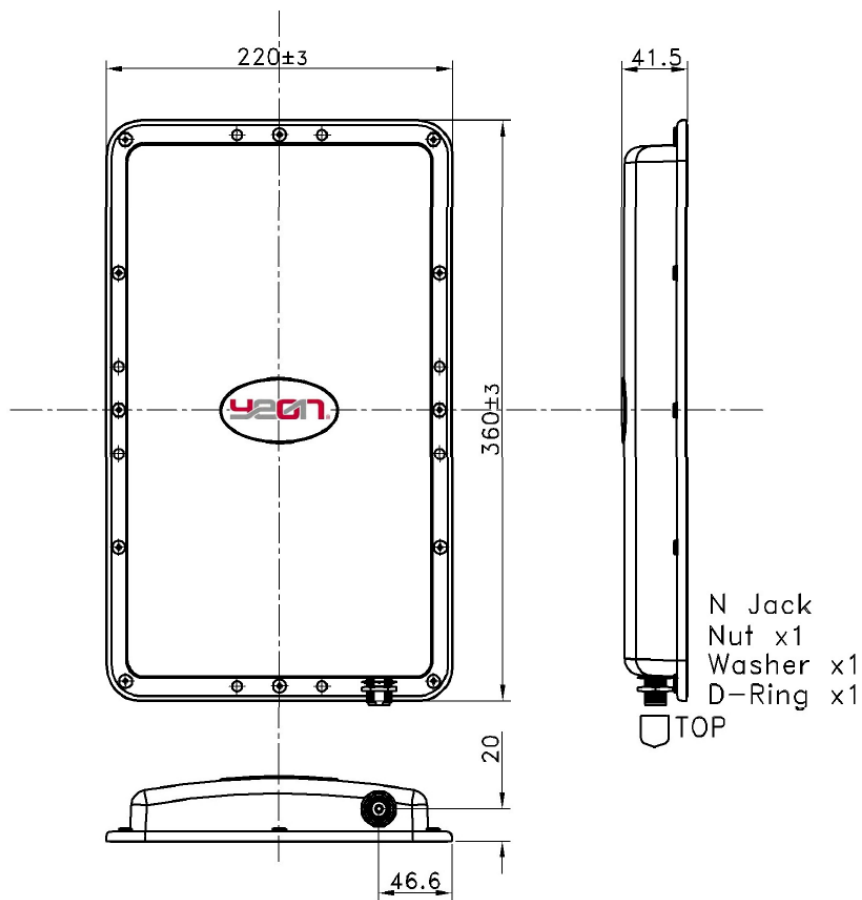


RFID UHF Antenna Data Sheet

Operating Frequency	902~928MHz
Impedance	50Ω
VSWR	≤1.5
Gain	≥8dBi
Polarization	Vertical
Front/Back Ratio	16dB
Radiation Pattern	Directional
HPBW (3dB Beam Width)	74° @E-plane , 52° @H-plane
Operating temperature	-20°C ~ 65°C
Connector	N Jack
Input power	10W(Max)
Dimensions	360x220x40mm
Water Proof	IPX5
Weight	944.5g



Antenna Drawing



Radiation Pattern @915MHz

