



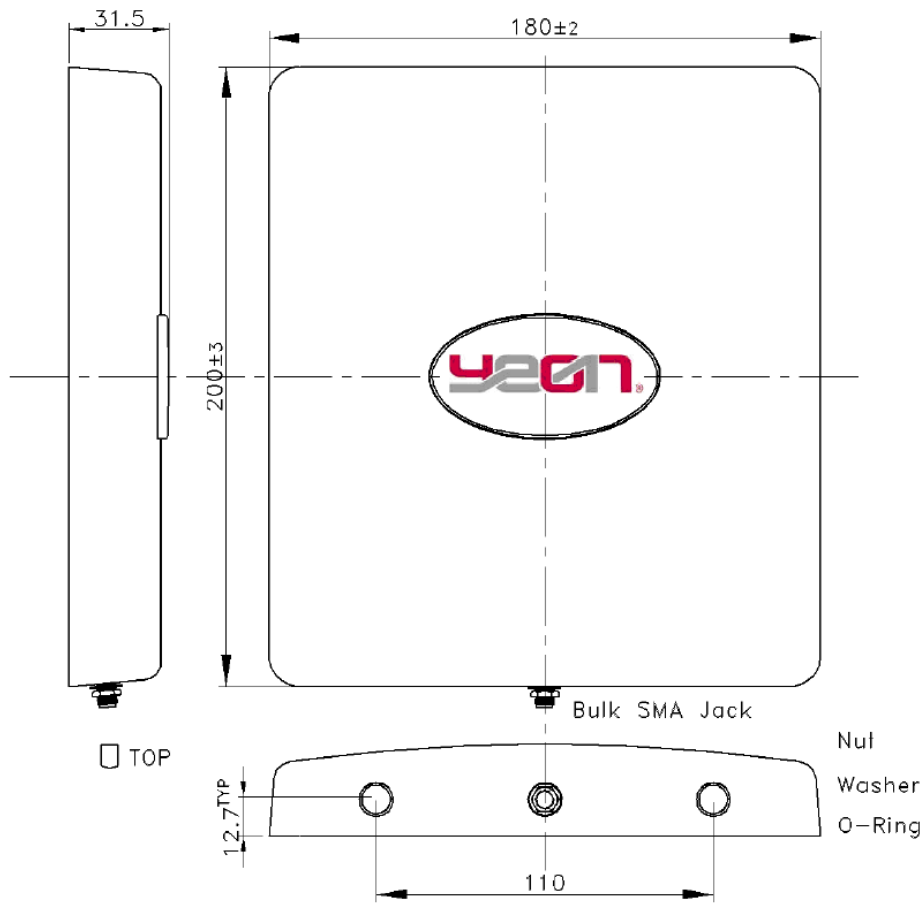
## RFID UHF Antenna Data Sheet

<b>Operating Frequency</b>	902~928MHz
<b>Impedance</b>	50Ω
<b>VSWR</b>	≤1.2
<b>Gain</b>	7dBic
<b>Polarization</b>	Right Hand, Circular
<b>Front/Back Ratio</b>	10dB
<b>Radiation Pattern</b>	Directional
<b>HPBW (3dB Beam Width)</b>	> 70° @E-plane , > 80° @H-plane
<b>Operating temperature</b>	-20°C ~ 65°C
<b>Connector</b>	SMA Jack
<b>Input power</b>	10W(Max)
<b>Dimensions</b>	180x200x31.5mm
<b>Water Proof</b>	IPX5
<b>Weight</b>	368.5g





Antenna Drawing



Radiation Pattern @915MHz

