



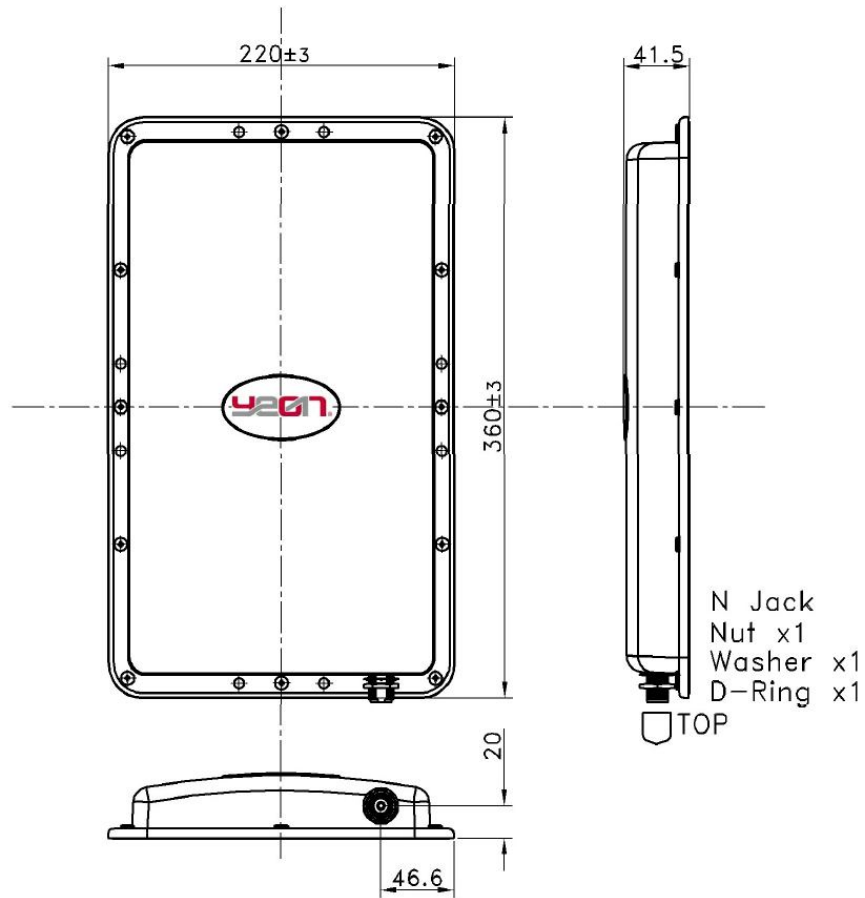
RFID UHF Antenna Data Sheet

Operating Frequency	902~928MHz
Impedance	50 Ω
VSWR	≤ 1.6
Gain	7.5dBi
Polarization	Vertical
Front/Back Ratio	16dB
Radiation Pattern	Directional
HPBW (3dB Beam Width)	74° @E-plane , 52° @H-plane
Operating temperature	-20°C ~ 65°C
Connector	N Jack
Input power	10W(Max)
Dimensions	360x220x40mm
Water Proof	IPX5
Weight	944.5g





Antenna Drawing



Radiation Pattern @915MHz

