



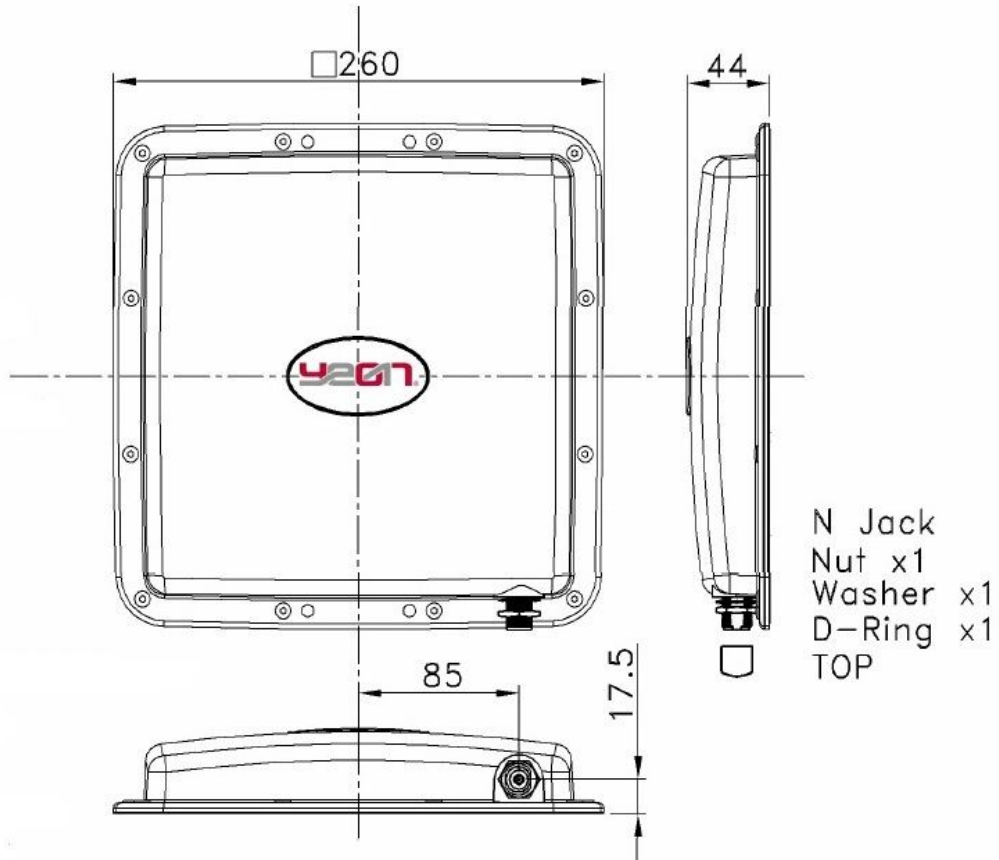
RFID UHF Antenna Data Sheet

Operating Frequency	902~928MHz
Impedance	50Ω
VSWR	≤1.2
Gain	8dBic
Polarization	Right Hand, Circular
Front/Back Ratio	15dB
Radiation Pattern	Directional
HPBW (3dB Beam Width)	64° @E-plane , 68° @H-plane
Operating temperature	-20°C ~ 65°C
Connector	N Jack
Input power	10W(Max)
Dimensions	260x260x40mm
Water Proof	IPX5
Weight	870g





Antenna Drawing



Radiation Pattern @915MHz

915MHz

