


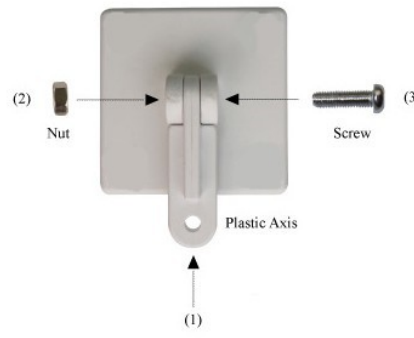
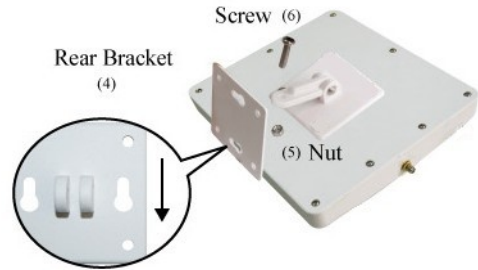
User's Manual For YAP-102CP

Installation Guide

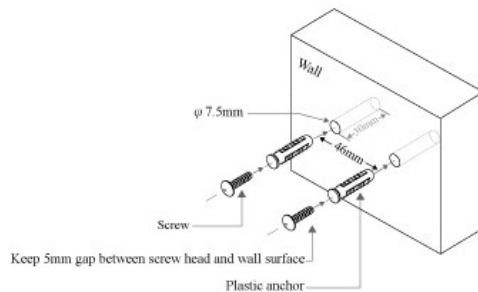
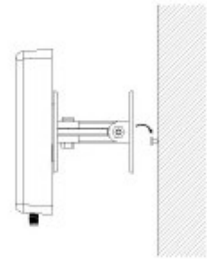
1. Verify Package Contents

<p>Please make sure you have all parts included as Figure 1.</p>	 <p style="text-align: center;">For Antennas Mount For Wall Mount</p> <p style="text-align: center;">Figure 1</p>
--	---

2. Fix Mounting kits to YAP-102CP at Back Side

<p>(1) Place the Plastic Axis to the right Position as Figure 2 shown. (2) Place the Nut into the mounting hole. (3) Put the Screw through Plastic Axis to fix the Nut.</p>	 <p style="text-align: center;">Figure 2</p>
<p>(4) Make sure the hanging holes of Rear Bracket shall be downward to the connectors while assembling with Plastic Axis shown as Figure 3 (5) Place the Nut into the mounting hole. (6) Put the screw through the Rear Bracket and Plastic Axis to fit with Nut.</p>	 <p style="text-align: center;">Figure 3</p>

3. Install YAP-102CP on Wall or Ceiling

<p>A. Choose suitable place and fix the mounting accessories as Figure 4 shown</p>	 <p style="text-align: center;">Figure 4</p>
<p>B. To hang up YAP-102CP on the screw as Figure 5 shown.</p>	 <p style="text-align: center;">Figure 5</p>