

# User's Manual For YAP-101CP/ YAP-101LP

## Installation Guide



### 1. Verify Package Contents

<p>Please make sure you have all parts included as Figure 1</p>	 <p style="text-align: center;"> <span>For Pole Mount</span> <span style="margin-left: 150px;">For Wall Mount</span> </p> <p style="text-align: center;"><b>Figure 1</b></p>
---	--

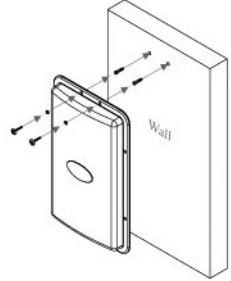
### 2. Product Detail

The outdoor patch antenna has 4 holes to install the mounting kits and an N Jack connector for your Outdoor/ Indoor Access Point by using extension cable

### 3. Pole Mounting

<p>Place the Clamp Blocks to the pole (35mm diameter pole recommended) and insert the long U bolts with the Clamp block nuts as Figure 2</p>	 <p style="text-align: center;">Clamp Blocks mounting</p> <p style="text-align: center;"><b>Figure 2</b></p>
<p>Then place antenna to the U bolt and using 2 x M6 screws to fix it as Figure 3</p>	 <p style="text-align: center;">Pole Mounting</p> <p style="text-align: center;"><b>Figure 3</b></p>

### 4. Wall Mounting

<p>Assembly the Antenna onto wall by using 2 x wall screws to fix it well as Figure 4</p>	 <p style="text-align: center;">Wall Mounting</p> <p style="text-align: center;"><b>Figure 4</b></p>
---	--